

Technical Specification SQ20P077-A/01 dated 11FEB2020

CENTRIFUGAL OIL PUMP

Oil pump type LB 150
 Oil pump manufacturer..... trade mark Boldrocchi
 Oil pump execution..... type according to standard IEC 60076-22-5
 Construction type Glandless with immersed motor, provided with incorporated correct rotation device
 Dimension..... DWG..... No. 212210-01 in attachment

PAINTING SYSTEM

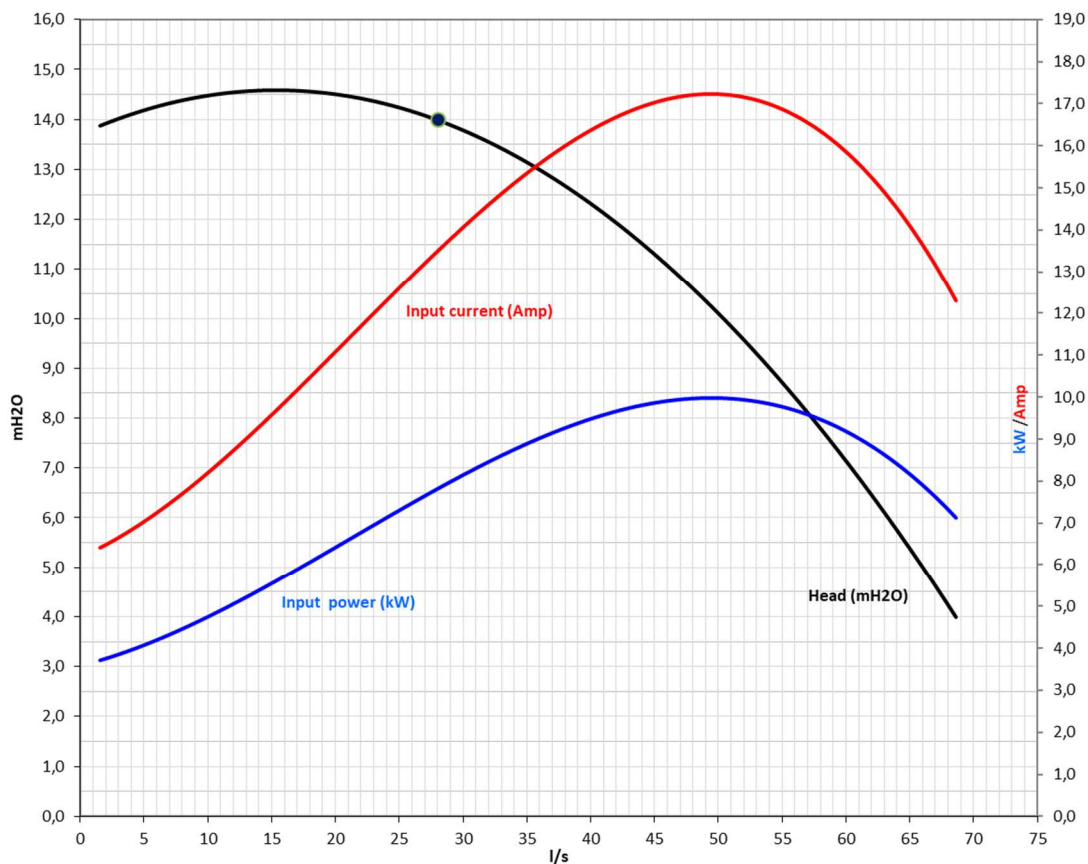
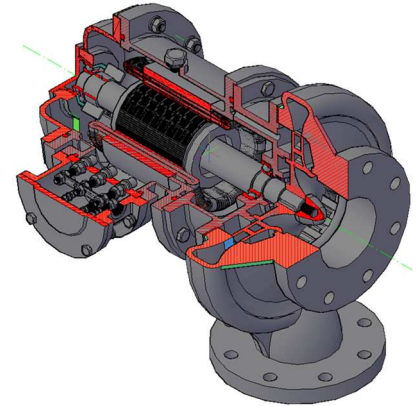
External surfaces..... Category..... C5I ISO12944, 240micron finishing RAL card

HYDRAULIC CHARACTERISTICS

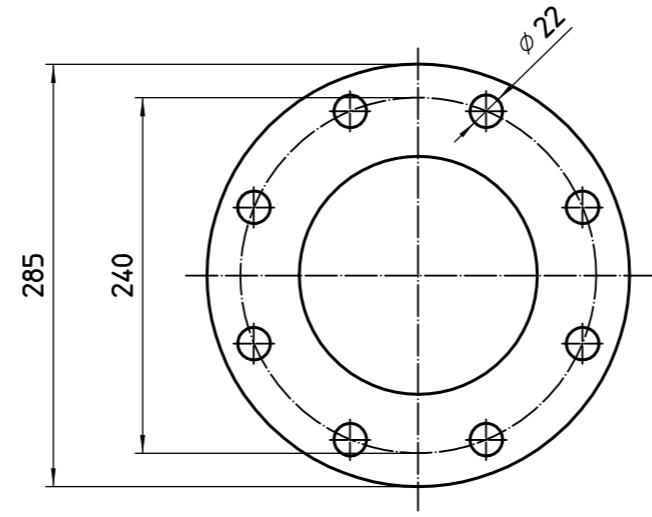
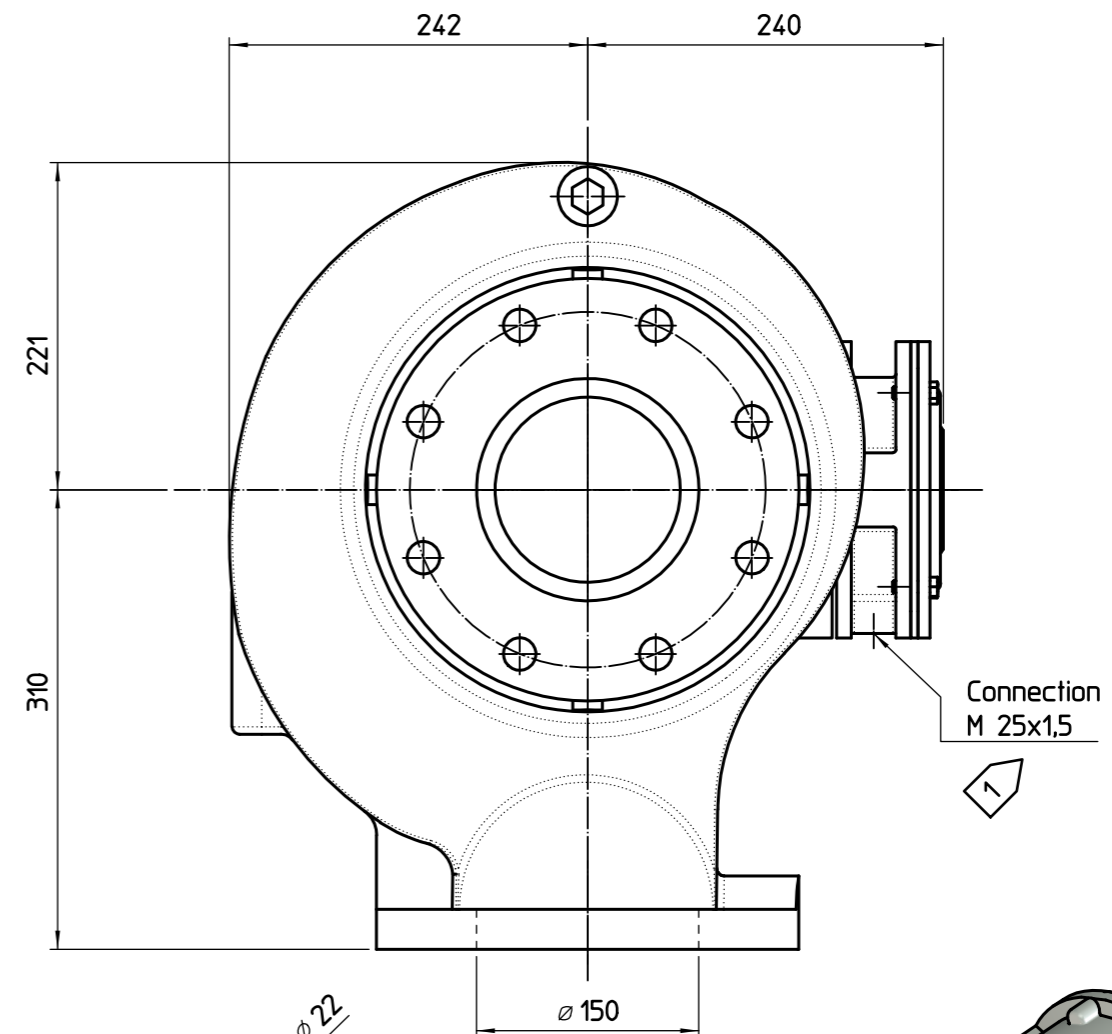
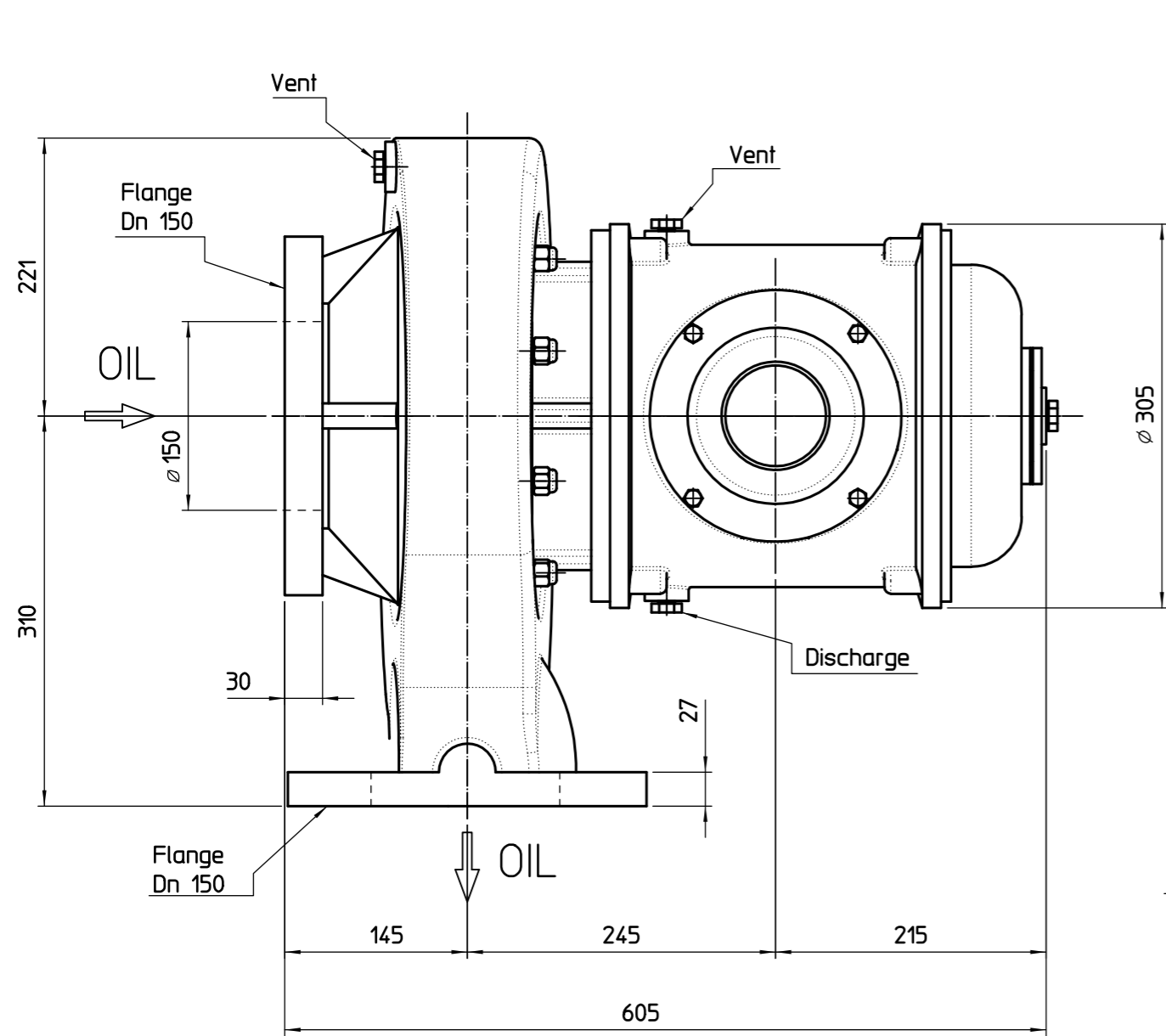
Oil flow rate..... l/s 28,0
 Head mH2O / mFc..... 14,0 / 16,7
 NPSH mH2O $\geq 6,2$

ELECTRICAL CHARACTERISTICS

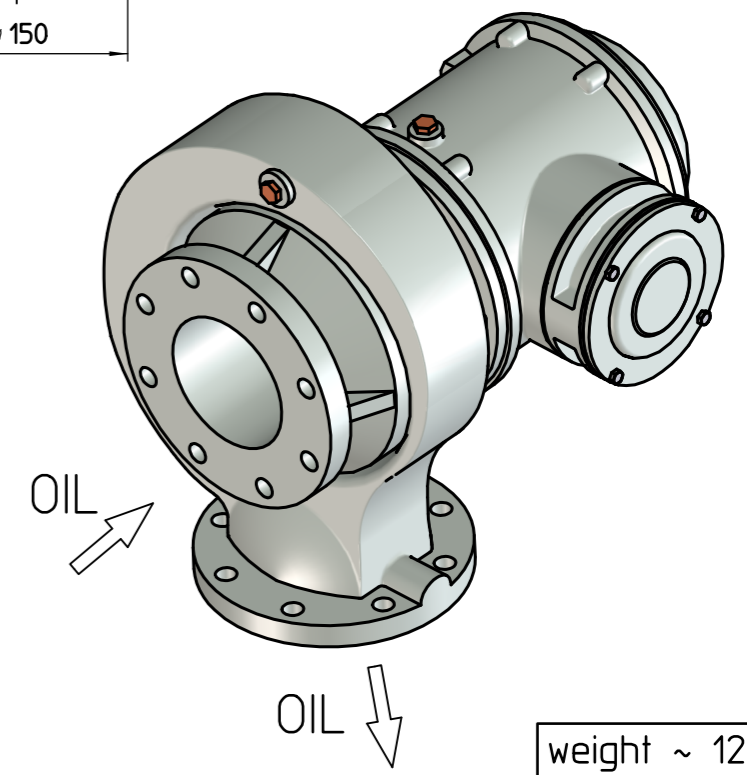
Motor manufacturer..... trade mark Boldrocchi
 Motor type type 135/150
 Voltage / Phases / Frequency..... Volt / Ph / Hz 380 / 3~ / 50
 Output power..... kW..... 7,35
 Input power..... kW..... $\leq 10,0$ (oil $\geq 60^\circ\text{C}$) | $\leq 13,4$ (oil = 0°C)
 Current..... Amp..... $\leq 17,4$ (oil $\geq 60^\circ\text{C}$) | $\leq 23,3$ (oil = 60°C)
 Starting current..... Amp..... $\leq 60,0$
 Motor poles / Speed..... n° / RPM..... 4 / $\cong 1430$
 Power factor..... cos ϕ 0,88
 Efficiency η 0,73
 Protection degree IP 55
 Insulation class..... Cl..... F



01	11FEB2020	Issue for quotation SQ20P0077-A/01 – New Performaces	RR
00	29JAN2020	Issue for quotation SQ20P0077-A/00	RR
REV.	DATE	DESCRIPTION	UTE



Flange Dn 150
Pn 10 Uni 2277
- FLAT FACE -



weight ~ 125 Kg

IL PRESENTE DISEGNO non puo' essere riprodotto ne trasmesso a terzi senza l'autorizzazione della DITTA

						E/PUMP LB 150			
						135/ 150 - 4 P			
1	30.03.17	CONNESSIONE ELETTRICA M25x1,5	Decarli	Didoni	Ruffolo				
0	17.06.15	EMISSIONE	Decarli	Didoni	Ruffolo				
REV. Rev.	DATA Date	DESCRIZIONE Description	REDATTO Issued	CONTROLLATO Checked	APPROVATO Approved		BOLDOROTCHI 20853 BIASSONO (MB) ITALY	Dis. Decarli	SCALE Scale 1:5
								Visto Ruffolo	